

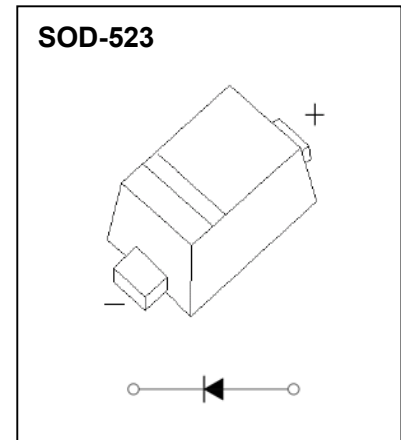


### SOD-523 Plastic-Encapsulate Diodes

Schottky barrier Diode

#### FEATURES

- Small surface mounting type
- Low  $I_R$
- High reliability
- **Pb-Free package is available**  
RoHS product for packing code suffix "G"  
Halogen free product for packing code suffix "H"



MARKING: B

#### Maximum Ratings and Electrical Characteristics, Single Diode @Ta=25°C

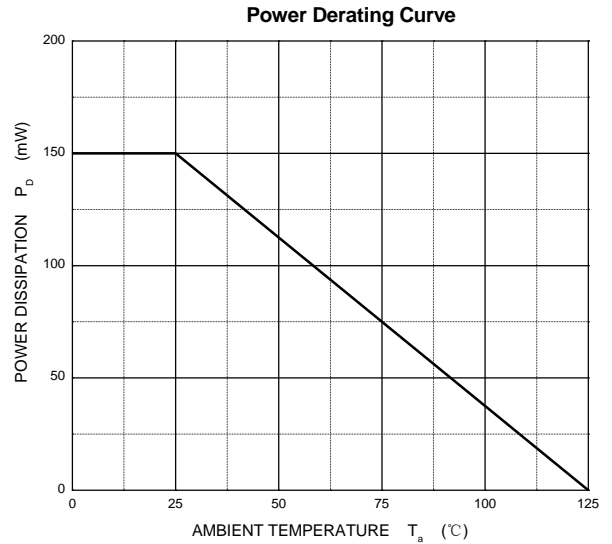
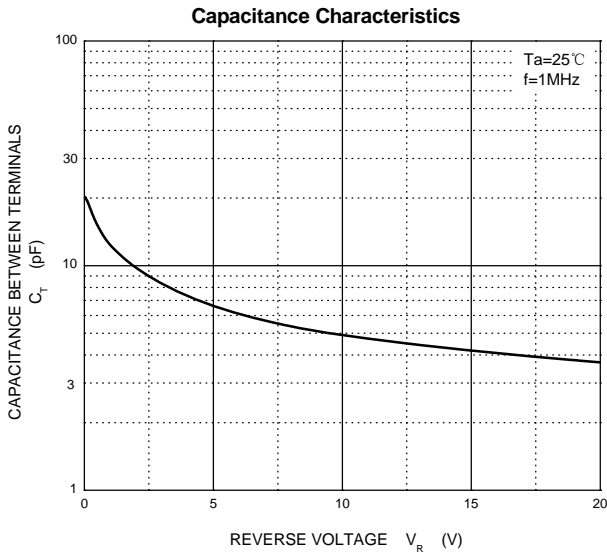
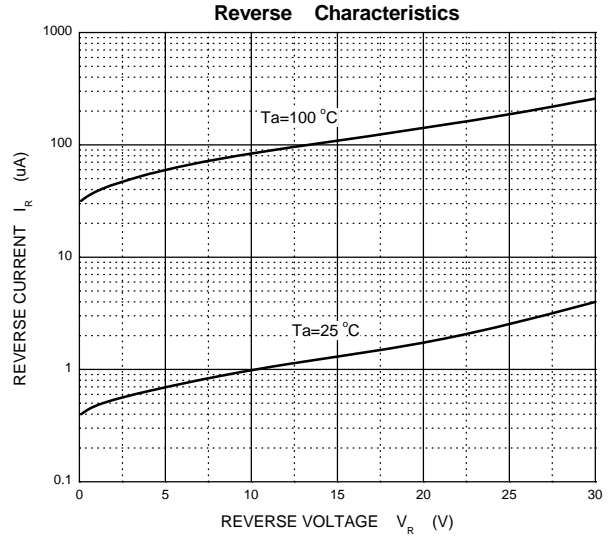
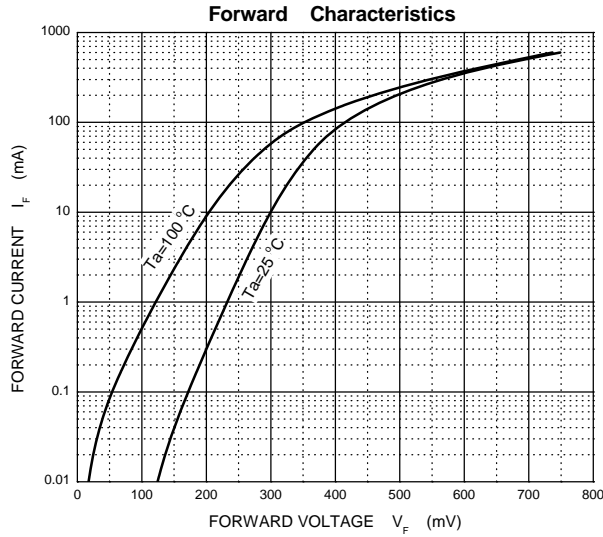
Parameter	Symbol	Limit	Unit
DC reverse voltage	$V_R$	30	V
Mean rectifying current	$I_O$	200	mA
Peak forward surge current	$I_{FSM}$	1	A
Power dissipation	$P_D$	150	mW
Thermal resistance junction to ambient	$R_{\theta JA}$	667	°C/W
Junction temperature	$T_j$	125	°C
Storage temperature	$T_{stg}$	-55~+150	°C

#### Electrical Ratings @Ta=25°C

Parameter	Symbol	Min	Typ	Max	Unit	Conditions
Forward voltage	$V_F$			0.6	V	$I_F=200mA$
Reverse current	$I_R$			1	$\mu A$	$V_R=10V$



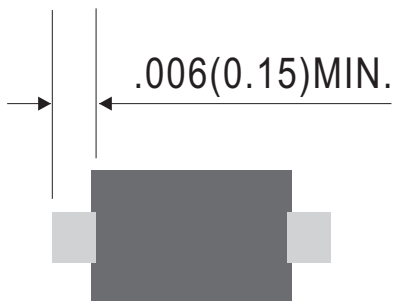
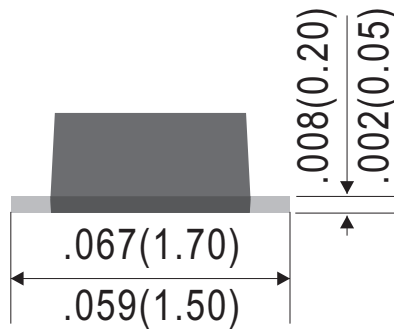
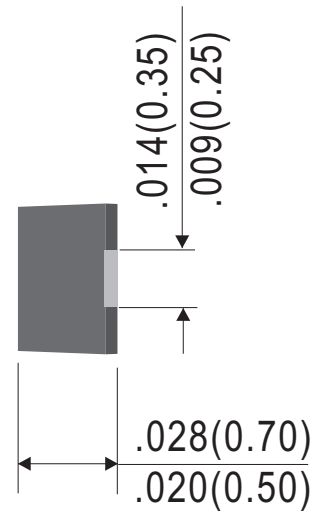
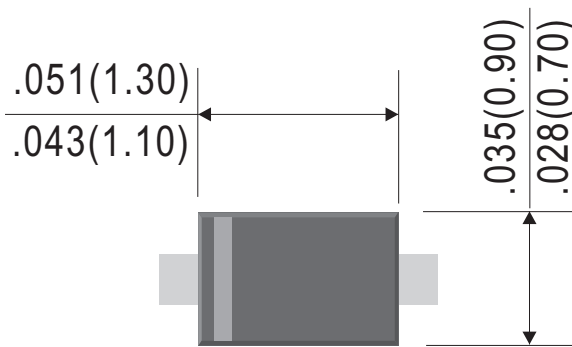
## Typical Characteristics





# Outline Drawing

# SOD-523



Dimensions in inches and (millimeters)